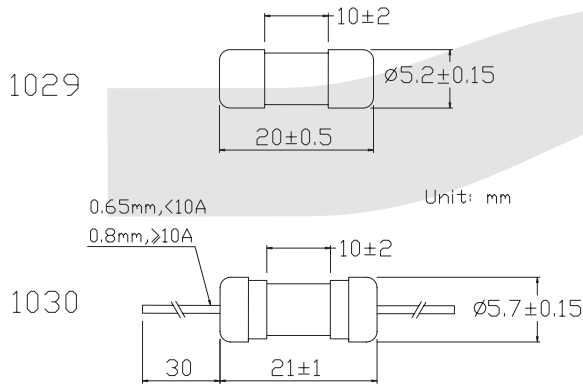


# FUSE AND FUSE HOLDER

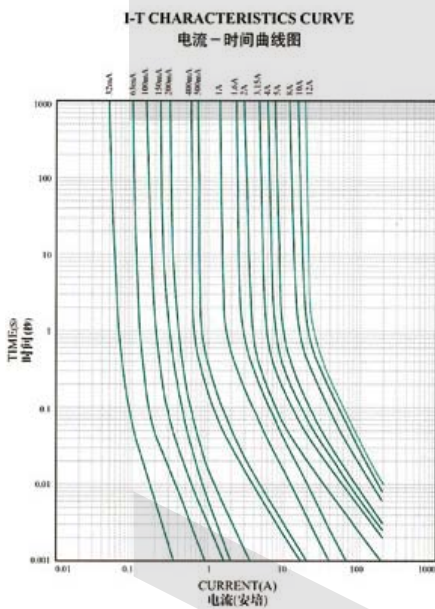
## Φ5.2x20 Glass Tube Fuse Series

KLS5-1029/1030 Φ5.2x20 Glass Tube Fuse (Medium Fast Blow) Series



### ELECTRICAL CHARACTERISTICS

RATING	BLOWING Time
130%	1 hours Min
160%	1 hours Max
200%	120 sec Max



Part No.	Rated Current	Rated Voltage
1030-0100	100mA	125V/250V
1030-0125	125mA	125V/250V
1030-0150	150mA	125V/250V
1030-0160	160mA	125V/250V
1030-0200	200mA	125V/250V
1030-0250	250mA	125V/250V
1030-0300	300mA	125V/250V
1030-0315	315mA	125V/250V
1030-0350	350mA	125V/250V
1030-0400	400mA	125V/250V
1030-0500	500mA	125V/250V
1030-0600	600mA	125V/250V
1030-0700	700mA	125V/250V
1030-0750	750mA	125V/250V
1030-0800	800mA	125V/250V
1030-1000	1A	125V/250V
1030-1200	1.2A	125V/250V
1030-1250	1.25A	125V/250V
1030-1500	1.5A	125V/250V
1030-1600	1.6A	125V/250V
1030-1800	1.8A	125V/250V
1030-2000	2A	125V/250V
1030-2500	2.5A	125V/250V
1030-3000	3A	125V/250V
1030-3150	3.15A	125V/250V
1030-3500	3.5A	125V/250V
1030-4000	4A	125V/250V
1030-5000	5A	125V/250V
1030-6000	6A	125V/250V
1030-6300	6.3A	125V/250V
1030-7000	7A	125V/250V
1030-8000	8A	125V/250V
1030-10000	10A	125V/250V
1030-12000	12A	125V/250V
1030-15000	15A	125V/250V

Part No.	Rated Current	Rated Voltage
1029-0100	100mA	125V/250V
1029-0125	125mA	125V/250V
1029-0150	150mA	125V/250V
1029-0160	160mA	125V/250V
1029-0200	200mA	125V/250V
1029-0250	250mA	125V/250V
1029-0300	300mA	125V/250V
1029-0315	315mA	125V/250V
1029-0350	350mA	125V/250V
1029-0400	400mA	125V/250V
1029-0500	500mA	125V/250V
1029-0600	600mA	125V/250V
1029-0700	700mA	125V/250V
1029-0750	750mA	125V/250V
1029-0800	800mA	125V/250V
1029-1000	1A	125V/250V
1029-1200	1.2A	125V/250V
1029-1250	1.25A	125V/250V
1029-1500	1.5A	125V/250V
1029-1600	1.6A	125V/250V
1029-1800	1.8A	125V/250V
1029-2000	2A	125V/250V
1029-2500	2.5A	125V/250V
1029-3000	3A	125V/250V
1029-3150	3.15A	125V/250V
1029-3500	3.5A	125V/250V
1029-4000	4A	125V/250V
1029-5000	5A	125V/250V
1029-6000	6A	125V/250V
1029-6300	6.3A	125V/250V
1029-7000	7A	125V/250V
1029-8000	8A	125V/250V
1029-10000	10A	125V/250V
1029-12000	12A	125V/250V
1029-15000	15A	125V/250V

## ORDER INFORMATION

Product NO.: KLS5-1029-XXXX

Rated Current  
Lead Type: 1029=No Lead 1030=With Lead  
Part Number